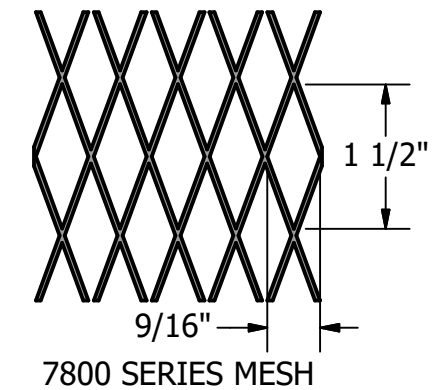
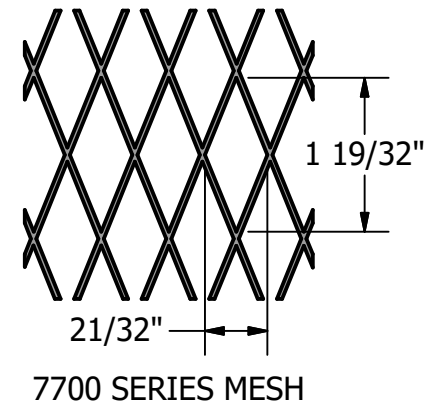
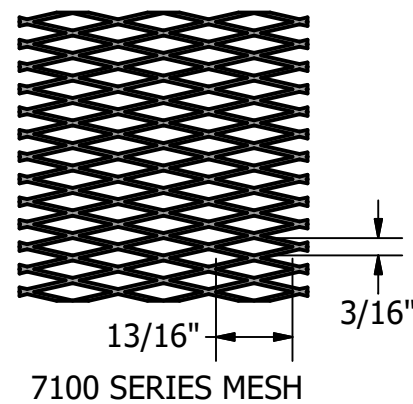
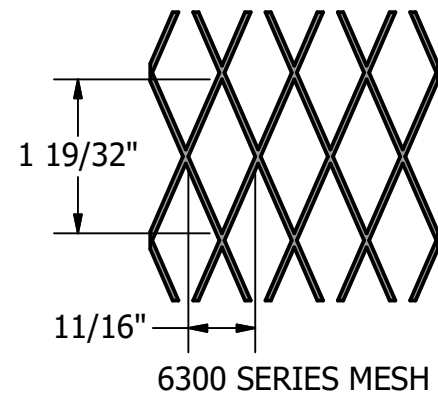
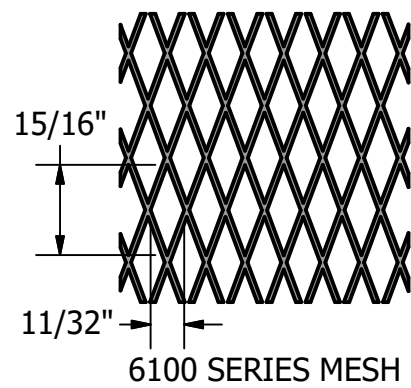
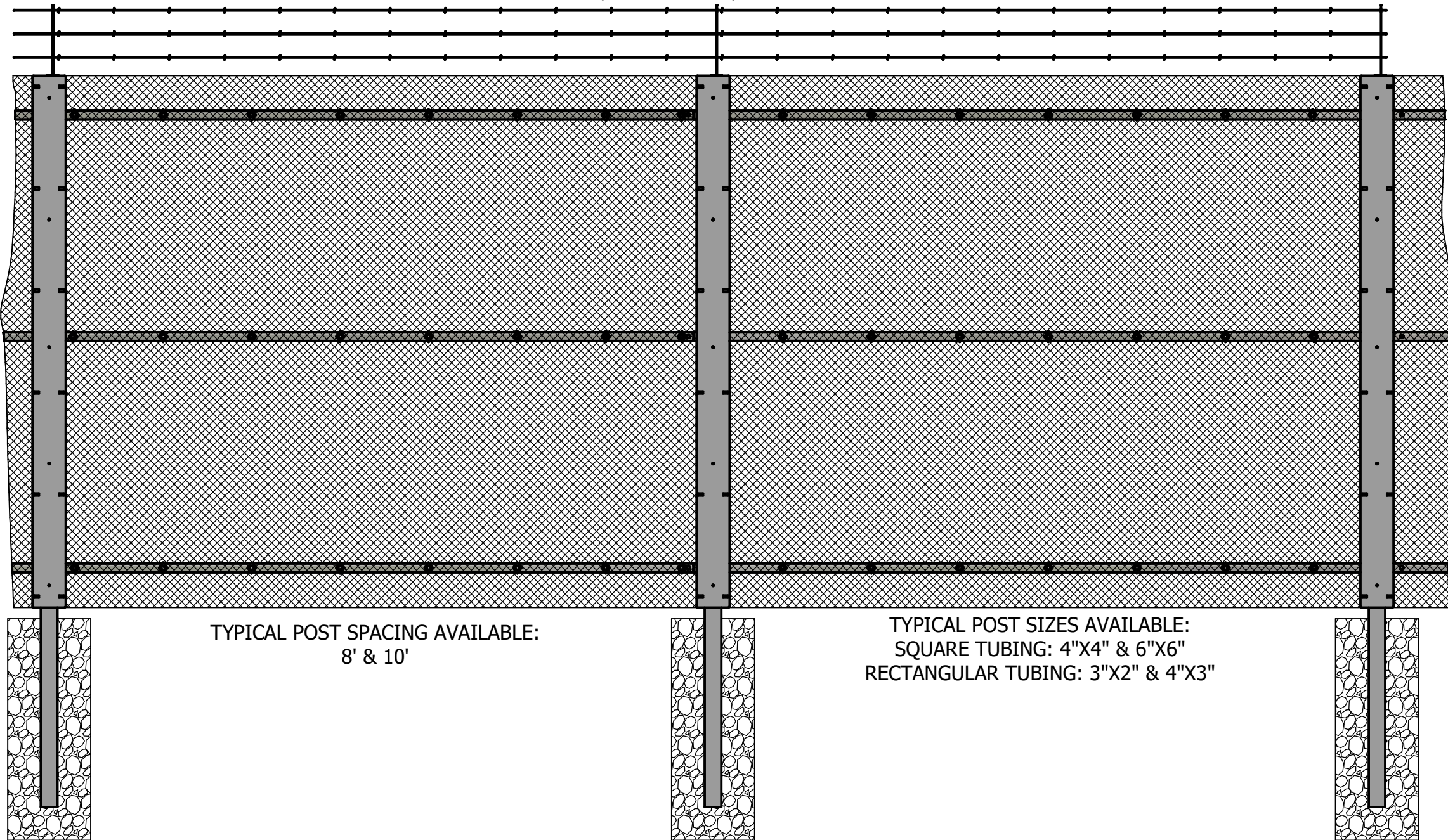


TYPICAL DETAILS OF AVAILABLE MESH:



TOPPERS AVAILABLE:
BARBED WIRE, RAZOR WIRE, & SHARK TOOTH TOPPER



TYPICAL FENCE HEIGHTS AVAILABLE:
7', 8', 10', & 12'

TYPICAL POST SPACING AVAILABLE:
8' & 10'

TYPICAL POST SIZES AVAILABLE:
SQUARE TUBING: 4"X4" & 6"X6"
RECTANGULAR TUBING: 3"X2" & 4"X3"

NOTE: WIND LOAD REQUIREMENTS WILL DETERMINE POST SIZE AND SPACING



REV	DATE	DESCRIPTION	C/C	BY
0	8/27/2019	FOR APPROVAL		

AMIGUARD HIGH SECURITY STEEL FENCE

PROJECT		FINISH	
CUSTOMER		REVIEWER	
SOF#		DRAFTER	C. COUVILLON
QUOTE#			
DATE	8/27/2019		
MATERIAL SPECIFICATIONS			
A36 STEEL: ALL PLATE ANGLE & CHANNEL A500 GRADE B: ALL TUBE STEEL COMMERCIAL GALV: ALL GA WIRE			

SHEET NO.

TBD

THIS DRAWING IS THE PROPERTY OF AMICO, INC., AND IS CONFIDENTIAL AND MUST NOT BE MADE PUBLIC OR COPIED, AND IS SUBJECT TO RETURN ON DEMAND. ALL RIGHTS OF INVENTION OR DESIGN ARE RESERVED.