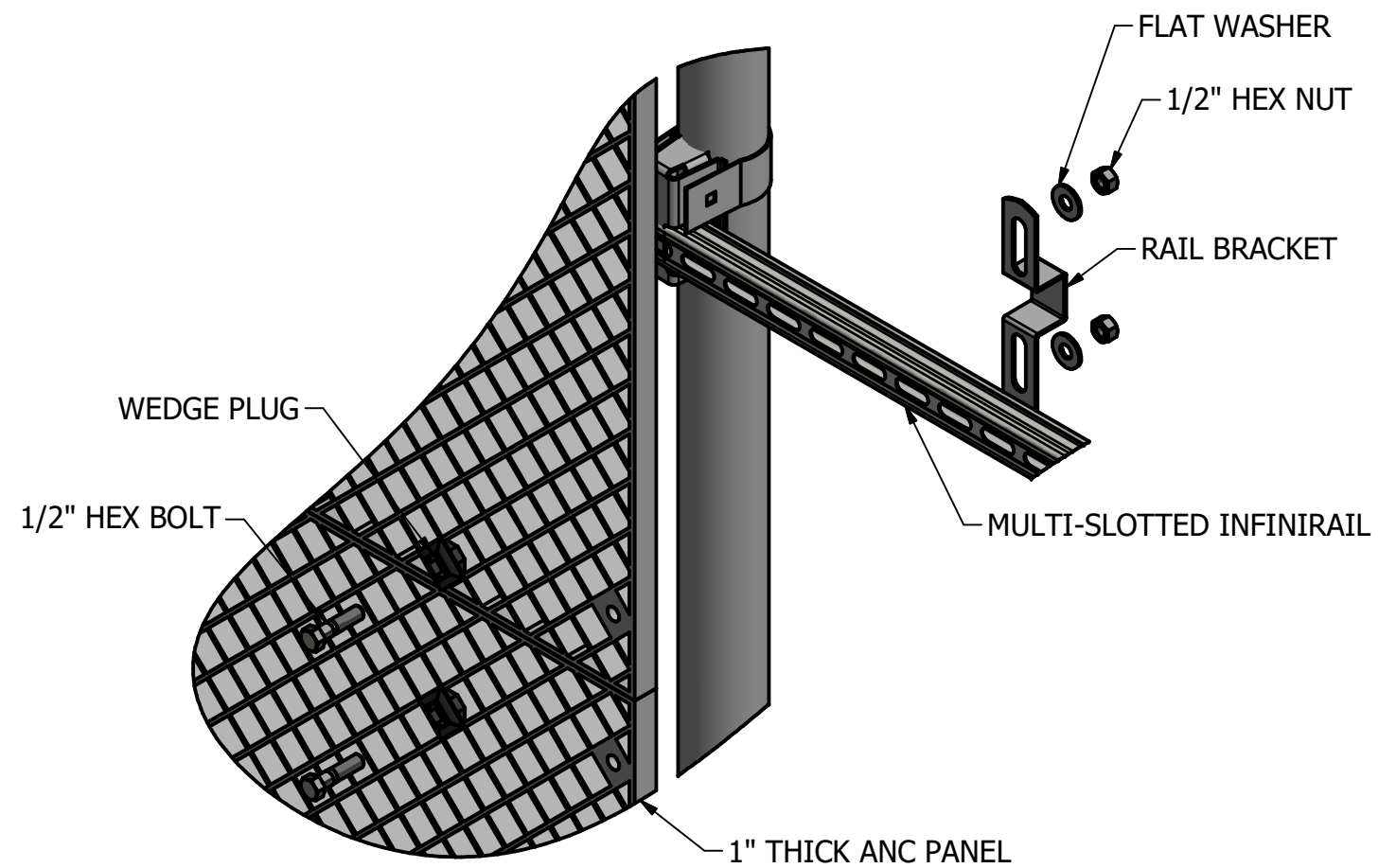


EXPLODED VIEW #1
(SPLICE PLATE/BACK STRAP CONNECTION)



EXPLODED VIEW #2
(RAIL BRACKET SPLICE CONNECTION)

THIS DRAWING IS THE PROPERTY OF AMICO, INC., AND IS CONFIDENTIAL AND MUST NOT BE MADE PUBLIC OR COPIED, AND IS SUBJECT TO RETURN ON DEMAND. ALL RIGHTS OF INVENTION OR DESIGN ARE RESERVED.



REV	DATE	DESCRIPTION	C/JC	BY
0	8/28/2019	FOR APPROVAL		

CHAMELEON-ANC EXPLODED DETAIL VIEWS				MATERIAL SPECIFICATIONS	
PROJECT	CUSTOMER	SO#	QUOTE#	FINISH	A36 STEEL: ALL PLATE ANGLE & CHANNEL A500 GRADE B: ALL TUBE STEEL COMMERCIAL GALV: ALL GA WIRE
DATE	DRAFTER	REVIEWER	DATE		
8/28/2019	C. COUVILLON				

SHEET NO.
A-4B