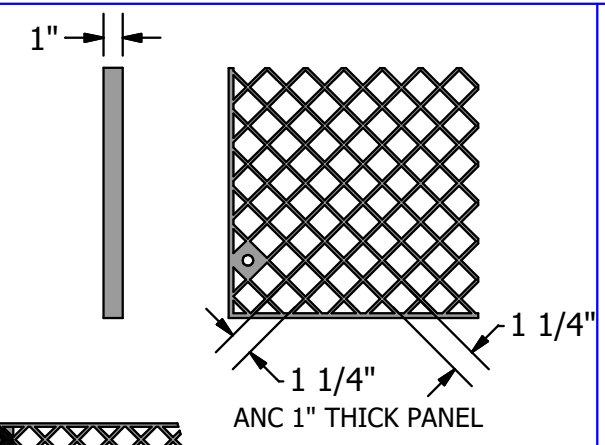
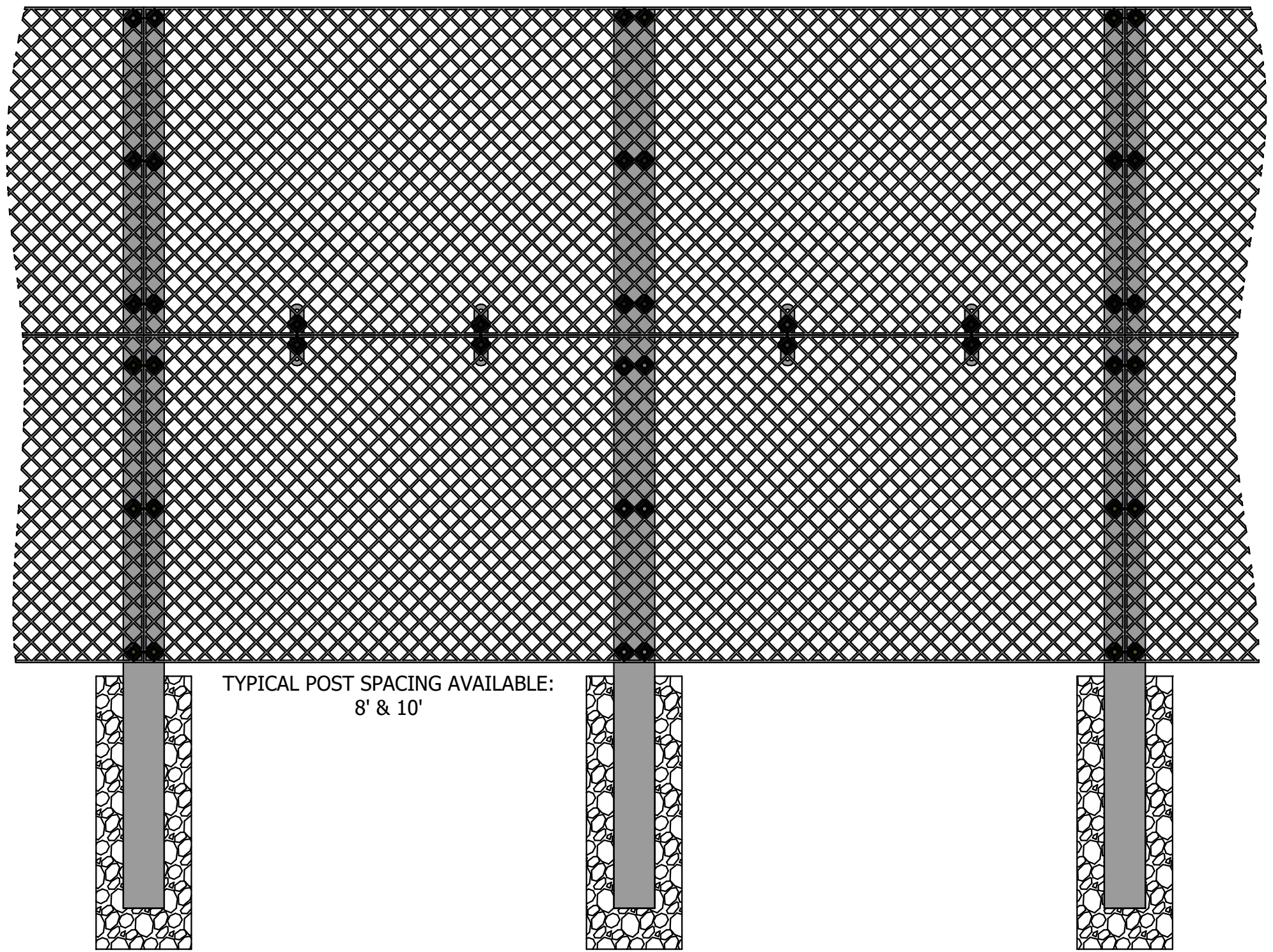


TYPICAL DETAILS OF AVAILABLE MESH:



TOPPERS AVAILABLE:
BARBED WIRE & RAZOR WIRE

TYPICAL FENCE HEIGHTS AVAILABLE:
7', 8', 10', & 12'



TYPICAL POST SPACING AVAILABLE:
8' & 10'

NOTE: WIND LOAD REQUIREMENTS WILL DETERMINE POST SIZE AND SPACING

THIS DRAWING IS THE PROPERTY OF AMICO, INC., AND IS CONFIDENTIAL AND MUST NOT BE MADE PUBLIC OR COPIED, AND IS SUBJECT TO RETURN ON DEMAND. ALL RIGHTS OF INVENTION OR DESIGN ARE RESERVED.



REV	DATE	DESCRIPTION	C/C	BY
0	10/10/2019	FOR APPROVAL		

ANC HIGH SECURITY NON-CONDUCTIVE FENCE		MATERIAL SPECIFICATIONS	
PROJECT	FINISH	DRAFTER	REVIEWER
CUSTOMER		C. COUVILLON	
SO#			
QUOTE#			
DATE			
10/10/2019			
A36 STEEL: ALL PLATE ANGLE & CHANNEL A500 GRADE B: ALL TUBE STEEL COMMERCIAL GALV: ALL GA WIRE			

SHEET NO.
TBD